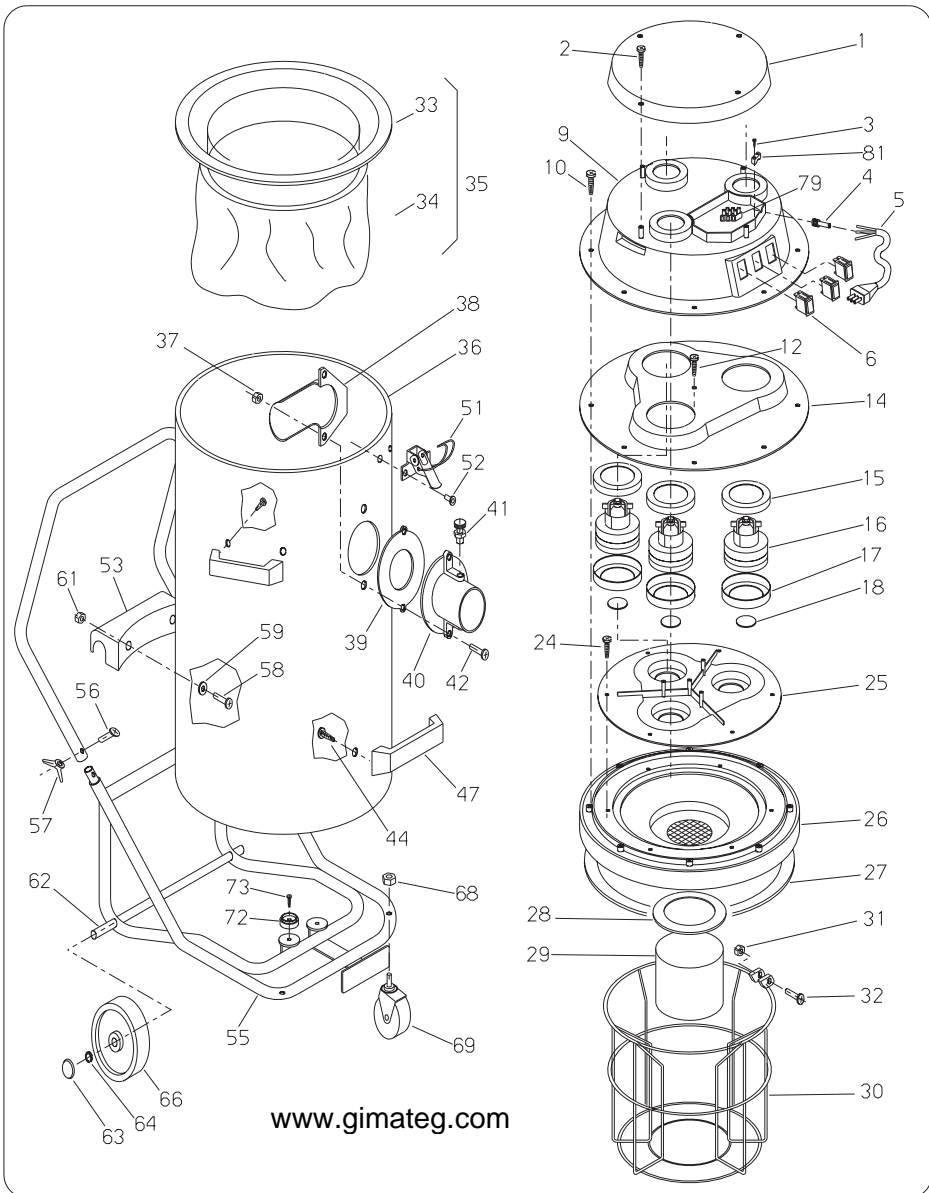




ASPIRAPOLVERE
VACUUM CLEANERS
ASPIRATEUR
STAUB-WASSER SAUGER

F56



www.gimateg.com

N.Position	Code	Num	Qta	Descrizione	Description	Description	Bezeichnung
F56.A.01	CZ004*	1		COPERCHIO	- COVER	COVERCLE	DECKEL
F56.A.02	VA323	4		VITE FIL.RAP.5x16 TC S/PUNTA	- SCREW	SCHRAUBE	SCHRAUBE
F56.A.03	VA261	1		VITE AUTOFIL.TC CROCE 3,5x19 UNI6954/71	- SCREW	VIS	SCHRAUBE
F56.A.04	PY309	1		PASSACAVO IN GOMMA NERA	- BLACK RUBBER FAIRLEAD	PASSECCABLE NOIR	KABELDURCHGANG
F56.A.05	PY999*	1		CAVO ELETTRICO	- ELECTRIC CABLE	CABLE ELECTRIQUE	ELEKTR. KABEL
F56.A.06	INO10	3		INTERRUTTORE	- SWITCH	INTERRUPTEUR	SCHALTER
F56.A.09	CU003*	1		CALOTTA COPRI MOTORE D.420	- MOTOR CAP	CALOTTE	MOTORKAPPE
F56.A.10	VA326	8		VITE FIL.RAP.5x25 TC S/PUNTA	- SCREW	VIS	SCHRAUBE
F56.A.12	VA326	4		VITE FIL.RAP.5x25 TC S/PUNTA	- SCREW	VIS	SCHRAUBE
F56.A.14	DF004	1		DISCO FERMA MOTORE D.420	- DISC	DISQUE	SCHIBE
F56.A.15	GR005	3		GUARNIZIONE A L MOTORE 145x5	- MOTOR GASKET	GARNITURE	L-DICHTUNG
F56.A.16	M0999*	3		MOTORE ASPIRAZIONE	- SUCTION MOTOR	MOTEUR ASPIRATION	ANSAUGMOTOR
F56.A.17	GR005	3		GUARNIZIONE A L MOTORE 145x5	- MOTOR GASKET	GARNITURE	L-DICHTUNG
F56.A.18	T0004	3		VALVOLA MOTORE	- MOTOR VALVE	MOTORVALVE	SOUVAPE
F56.A.24	VA322	6		VITE FIL.RAP.5x13 TC S/PUNTA	- SCREW	VIS	SCHRAUBE
F56.A.25	DF005	1		DISCO PORTA MOTORI D.420	- DISC	DISQUE	SCHIBE
F56.A.26	CB004*	1		CALOTTA BASE D.420	- CAP BASE D.420	CALOTTE	KAPPE
F56.A.27	G0010	1		GUARNIZIONE CALOTTA BASE D.420	- DOME GASKET	GARNITURE	KAPPEDICHTUNG
F56.A.28	G0009	1		GUARNIZIONE GALLEGGIANTE	- FLOAT GASKET	GARNITURE	SCHWIMMERDICHTUNG
F56.A.29	GE003	1		GALLEGGIANTE	- FLOAT	FLOTTEUR	SCHWIMMER
F56.A.30	CL005	1		CESTELLO h=345	- BASKET h=345	PANIER	KASTEN
F56.A.31	DD203	1		DADO M5 UNI 5588/65	- NUT	ECROU	MUTTER
F56.A.32	VC218	1		VITE CILIN.CROCE M5x45 UNI 7687	- SCREW	VIS	SCHRAUBE
F56.A.33	AN004	1		ANELLO FILTRO D.420	- FILTER RING D.420	BAGUE FILTRE	FILTERRING
F56.A.34	SF005	1		SACCO FILTRO h=360	- FILTER BAG	SAC FILTRE	FILTERBEUTEL
F56.A.35	KF006	1		ASSEMBLAGGIO FILTRO D.420x360	- FILTER ASSY	ASSEMBL. FILTRE	FILTERZUSAMMENBAU
F56.A.36	CN018	1		FUSTO INOX D.420x600 CERN.ALL.	- INOX TANK ALUM.HINGE	CUVE INOX	SCHAFT
F56.A.37	DD204	2		DADO M6 UNI 5588/65	- NUT	ECROU	MUTTER
F56.A.38	DL001	1		DEFLETTORE IN PVC D.40	- PVC BAFFLE	DEFLECTEUR	KLAPPE
F56.A.39	G0004	1		GUARNIZIONE BOCCHETTONE D.40	- UNION GASKET	GARNITURE	STUTZENDICHTUNG
F56.A.40	BC002	1		BOCCHETTONE D.40	- UNION D.40	GOULOTTE	STUTZEN
F56.A.41	SE001	1		SALTERELLO	- PAWL	SALTEUR	FALLKLINKE
F56.A.42	VC223	2		VITE CILIN.CROCE M6x20 UNI 7687	- SCREW	VIS	SCHRAUBE
F56.A.44	VA433	2		VITE AUTOFILETT. 5,5x16 UNI 6954/71 INOX	- WASCHER	RONDELLE	SCHIBE
F56.A.46	R0403	2		RONDELLA NORM.DIAM. 6 UNI 6592/69 INOX	- INOX WASHER	RONDELLE	SCHIBE
F56.A.47	G0002	1		MANIGLIA IN PLASTICA	- PLASTIC HANDLE	POIGNEE	KUNSTSTOFFGRIF
F56.A.48	G0002	2		MANIGLIA IN PLASTICA	- PLASTIC HANDLE	POIGNEE	KUNSTSTOFFGRIF
F56.A.51	CC004	2		GANCIO ZINGATO	- GALVANIZED HOOK	CROCHET ZINGUE	VERZINKTER HAKEN
F56.A.52	RV001	4		RIVETTO 4,8x7	- RIVET	RIVET	NIET
F56.A.53	CR003	1		CERNIERA IN ALLUMINIO	- ALUMINIUM HINGE	CHARNIERE	ALU-SCHARNIER
F56.A.55	BR015	1		CARRELLO BASC. LUX. 450B C/ATT.X ACC FI	- LUX. BASC.TRUCK 450B	CHARIOT	WAGEN
F56.A.56	VC224	2		VITE CILIN.CROCE M6x30 UNI 7687	- SCREW	VIS	SCHRAUBE
F56.A.57	VL293	2		DADO AD ALLETTE M6 UNI 5448/71	- NUT	ECROU	MUTTER
F56.A.58	VC223	2		VITE CILIN.CROCE M6x20 UNI 7687	- SCREW	SCHRAUBE	SCHRAUBE
F56.A.59	R0403	2		RONDELLA NORMALE DIAM.6 UNI 6592/69 INOX	- WASCHER	RONDELLE	SCHIBE
F56.A.61	DD204	2		DADO M6 UNI 5588/65	- NUT	ECROU	MUTTER
F56.A.62	AS004	1		ASSALE CARRELLO LUSSO D.12x550	- LUX.TR.AXLE D.12x554	ESSIEU	ACHSE
F56.A.63	CF003	2		CUFFIA BLOCCA RUOTE	- WHEEL LOCK. CASING	PROTECTEUR	RADERSPERREKASTEN
F56.A.64	S0005	2		ANELLO SEEGER PER EST.DIAM.12 UNI 7435	- SEEGER RING	SEEGER	SEEGERRING
F56.A.66	RT025	2		RUOTA FISSA	- WHEEL	ROUE	RAD
F56.A.68	DD263	2		DADO CIECO M10 UNI 5721/69	- CAP NUT	ECROU BORGNE	HUTMUTTER
F56.A.69	RT026	2		RUOTA PIVOTTANTE	- WHEEL	ROUE	RAD
F56.A.71	VA333	4		VITE AUTOFIL.FIL.RAP.5,5x16 TBL C/PUNTA	- SCREW	VIS	SCHRAUBE
F56.A.72	G0022	2		GOMMI NO APPOGGIA FUSTO ALTO	- SHAFT SUPPORT RUBBER	CAOUTCHOUC	GUMMI STUECK
F56.A.73	VC227	2		VITE CILIN. CROCE M6x25 UNI 7687	- SCREW	VIS	SCHRAUBE
F56.A.74	G0023	1		GUARNIZIONE CERNIERA BASCUL.49x3x20	- GASKET HINGE	GARNITURE	STUTZENDICHTUNG
F56.A.75	PY342	6		CAPICORDA	- CABLE TERMINAL	COSSE	KABELSCHUHE
F56.A.76	PY951	1		SPEZZ.cm35 sez.1x1 C/OCCHIELLO 1 LATO	- CROP END	EBAUICHE	KNUEPPEL
F56.A.77	PY963	2		SPEZZ.cm(21-9-9) C/3FASTON+COPRIFAST.	- 3 CROP ENDS	3 EBAUCHES	3 KNUEPPEL
F56.A.78	PY955	2		SPEZZ.cm18 sez.1x1 C/2 OCCHIELLI D.5	- CROP END	EBAUICHE	KNUEPPEL
F56.A.79	PY182	1		MORSETTIERA MAMMUT A 3 POLI PA44	- TERMINAL BOARD	BORNIERE	KLEMMENBRETT
F56.A.80	VC211	3		VITE CILIN.CROCE M5x10 UNI 7687	- SCREW	VIS	SCHRAUBE
F56.A.81	PY252	1		C/CAVALLOTTO	- U BOLT	BARRETTE	BUEGELBOLZEN
F56.A.82	VA261	2		VITE AUTOFIL.TC CROCE 3,5x19 UNI6954/71	- SCREW	VIS	SCHRAUBE
F56.A.83	R0463	3		ROS. ELAST.DENT.FORMA A5 UNI 8842 INOX	- INOX WASHER	RONDELLE	SCHIBE

SAT GimateG 93.707.1855 mov 627.152.432 gimateg@telefonica.net